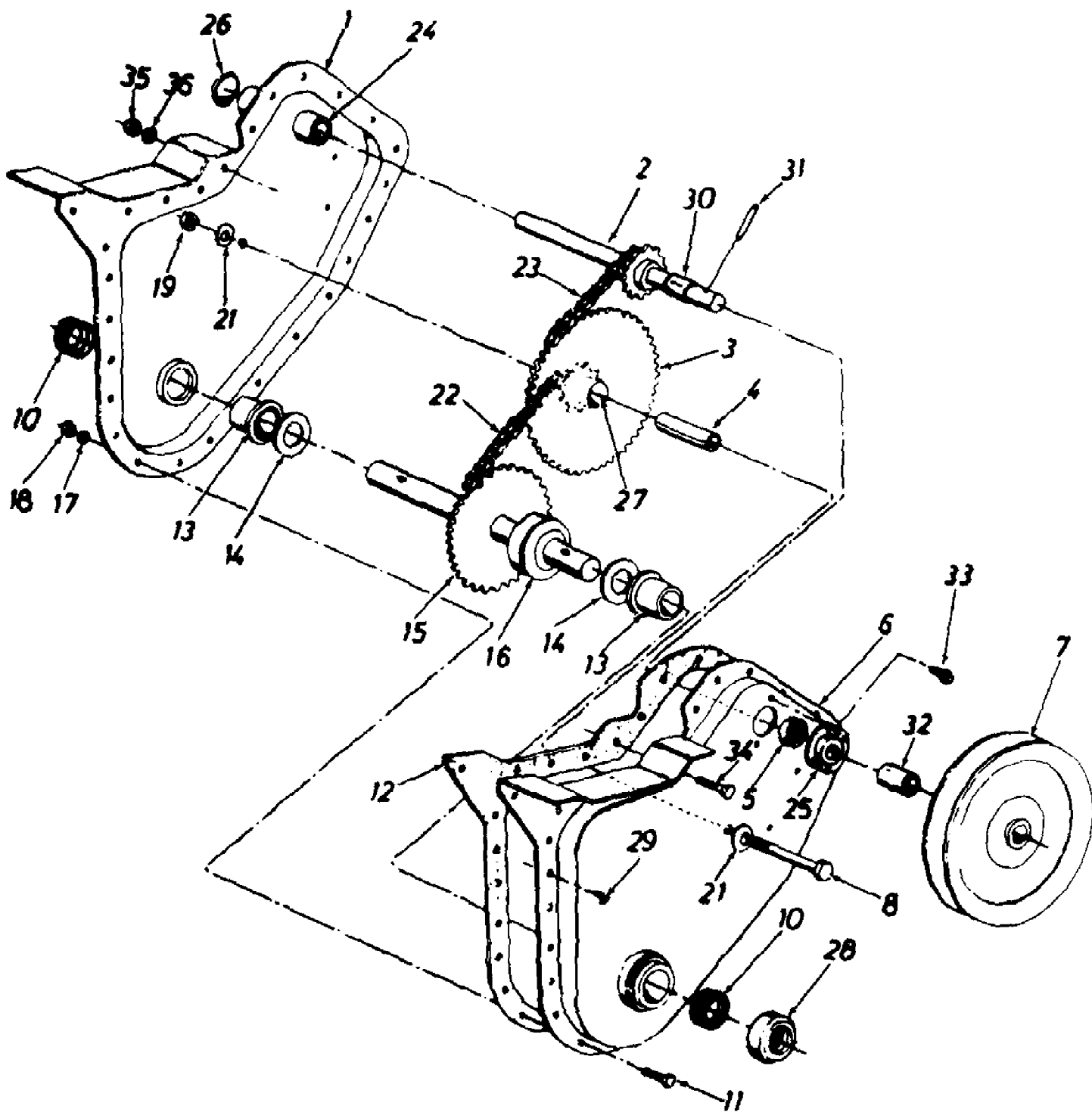


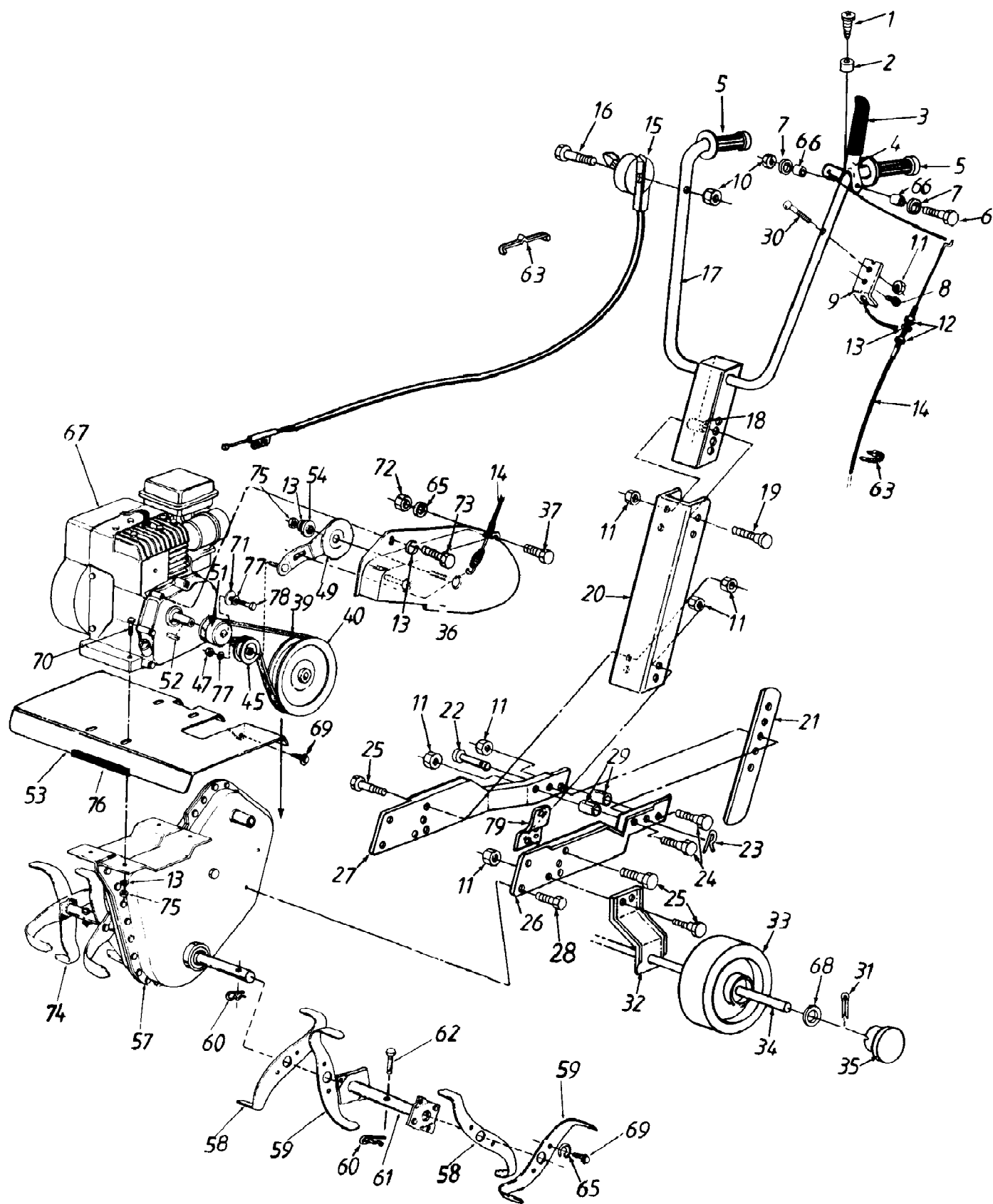
213-030-190 ROTO BOSS (1993)
Chain Case Ass'y



213-030-190 ROTO BOSS (1993)
Chain Case Ass'y

Page 2 of 5

Ref #	Part Number	Qty	S/P/F	Description
1	686-0024	1		Chain Case Ass'y, - R.H.
2	04756	1		Input Shaft Ass'y.
3	04757	1	S	Hub and Sprocket Ass'y.
4	750-0351	1		Bearing Inner Race
5	741-0155	1	S	Ball Bearing
6	686-0023	1	S	Chain Case Ass'y. - L.H.
7	756-0287	1		Pulley - Chain Case Not part of chain case assembly.
8	710-0369	1	/P/F	Hex Bolt 3/8-24 x 2.5"
10	721-0157	1		Seal Not part of chain case assembly.
11	710-0195	1	S/F	Hex Bolt 1/4-28 x .625"
12	721-0156A	1	S	Gasket
13	741-0227	1		Flange Brg. .879" I.D.
14	736-0265	1	/P	Fl-Wash. .88" I.D. x 1.5"
15	04920	1		Tine Shaft Ass'y.
16	750-0354A	1	/P	Spacer 7/8" I.D.
17	736-0329	1	S/F	L-Wash. 1/4" I.D.
18	712-0138	1	S/F	Hex Nut 1/4-28 Thd.
19	712-0116	1	S	Hex Ins. L-Nut 3/8-24 Thd.
21	736-0219	1	S	Bell-Wash. .406" I.D.
22	713-0215	1		Chain #420 1/2" Pitch 38 Links
	713-0154	1	S	#420 Master Link
23	713-0216	1		Chain #35 .375" Pitch 50 Links
	713-0139	1	S	#35 Master Link
24	748-0154	1		Bearing .62" I.D. x .813"
25	05034A	1	/P	Bearing Housing
26	726-0164	1		Expansion Plug 13/16" Dia.
27	741-0228	1	S	Bearing
28	731-0486	1		Dust Cap Not part of chain case assembly.
29	710-0599	1	/P	Hex Wash. Hd. Self-Tap Scr. 1/4-20 x .50" Lg.
30	750-0471	1	S	Spacer .63" I.D. x .77" O.D. x .38" Lg.
31	715-0114	1	S	Spring Pin Spiral 1/4" Dia. x 1-1/2" Lg. Not part of chain case assembly.
32	750-0550	1		Spacer .647 x 1.25" Not part of chain case assembly.
33	710-0653	1	/P	Hex Wash. Hd. Self-Tap Scr. 1/4-20 x .38" Lg.
34	710-0118	1	S/F	Hex Bolt 5/16-18 x .75" Lg.
35	712-0267	1	S/F	Hex Nut 5/16-18 Thd.
36	736-0119	1	S/F	L-Wash. 5/16" I.D.
	686-0022	1		Chain Case Ass'y. Comp.
	737-0223	1	S	Benalene #372-0 Grease - 10 oz. Tube



213-030-190 ROTO BOSS (1993)
Tiller

Page 4 of 5

Ref #	Part Number	Qty	S/P/F	Description
1	710-1167	1		Tap Scr. #10-16 x 1/2" Lg.
2	720-0263	1		Rubber Bumper
3	731-0473	1		Vinyl Grip
4	686-0002	1	S	Clutch Lever Ass'y.
5	720-0233	1	S	Handle Grip
6	710-0501	1	/P/F	Hex Bolt 1/4-20 x 2" Lg.
7	736-3090	1	/P	FI-Wash. 1/4" I.D.
8	710-1201	1		Hex Tap Scr. 1/4-20 x 1/2" Lg.
9	15093C	1	/P	Cable Bracket
10	712-0324	1	/P	Lock Nut 1/4-20 Thd.
11	712-0429	1	S	Lock Nut 5/16-18 Thd.
12	712-0256	1	/P	Hex Jam Nut 5/16-24 Thd.
13	736-0119	1	S/F	L-Wash. 5/16" I.D.
14	746-0509	1	S	Clutch Control Cable
15	746-0835	1	S	Throttle Control
16	710-0606	1	/P/F	Hex Bolt 1/4-20 x 1-1/2" Lg.
17	649-0153	1	S	Handle Ass'y.
18	750-0848	1		Spacer
19	710-0572	1	/P	Carr. Bolt 5/16-18 x 2-1/2" Lg.
20	786-0013	1		Handle Channel-Frame
21	04764	1		Depth Stake
22	711-0653	1	/P	Clevis Pin
23	714-0145	1	S	Hairpin Cotter
24	710-0376	1	/P/F	Hex Bolt 5/16-18 x 1" Lg.
25	710-0759	1	F	Hex Bolt 5/16-18 x 5/8" Lg.
26	786-0011	1		L.H. Frame Half
27	786-0010	1	S	R.H. Frame Half
28	710-0607	1	/P	Hex Tap. Scr. 5/16-18 x 1/2" Lg.
29	750-0845	1	S	Spacer
30	710-1090	1	/P	Hex Bolt 5/16-18 x 1-1/4" Lg.
31	714-3017	1	S	Cotter Pin
32	786-0012	1	S	Wheel Bracket
33	634-0013	1	/P	Wheel-6"
34	738-0855	1		Axle-Wheel
35	720-0258	1	/P	Hub Cap
36	686-0021	1		Belt Cover Code: N Notates a new part (not previously existing)
37	710-0258	1	S/F	Hex Bolt 1/4-20 x 5/8" Lg.
39	754-0216	1	S	V-Belt
40	756-0287	1		Pulley - Chain Case
45	756-0199	1	/P	Flat Idler Pulley
47	712-0116	1	S	Hex Jam L-Nut 3/8-24 Thd.
49	784-0016	1		Idler Arm Ass'y.
51	756-0286	1		Engine Pulley
52	714-0122	1	S	Square Key 3/16" x .75" Lg.
53	04765	1		Tine Shield
54	736-0289	1	S	Washer-Bushing
57	686-0022	1		Chain Case Ass'y. Comp.
58	04922	1	S	R.H. Tine Blade
59	04923	1	S	L.H. Tine Blade
60	714-01498	1		Hairpin Cotter
61	04918	1	S	Adapter Ass'y. - Tine

213-030-190 ROTO BOSS (1993)
Tiller

Page 5 of 5

Ref #	Part Number	Qty	S/P/F	Description
62	711-0702	1	/P	Clevis Pin
63	726-0306	1	/P	Cable Tie - Plastic
65	736-0329	1	S/F	L-Wash. 1/4" I.D.
66	750-0846	1	/P	Spacer
67		1		Engine
68	736-0185	1	S	FI-Wash. 3/8" I.D.
69	710-0599	1	/P	Tap Scr. 1/4-20 x 1/2" Lg.
70	710-0442	1	S/F	Hex Bolt 5/16-18 x 1-1/2" Lg.
71	736-0258	1	/P	FI-Wash. 3/8" I.D. x 1" O.D.
72	712-0287	1	S/F	Hex Nut 1/4-20 Thd.
73	710-0107	1	/P	Hex Bolt 5/16-24 x .5" Lg.
74	04921	1	S	Tine Blade Ass'y. Comp.
75	712-0267	1	S/F	Hex Nut 5/16-18 Thd.
76	731-0511-12	1		Trim Strip
77	736-0169	1	S/F	L-Wash. 3/8" I.D.
78	710-0152	1	S	Hex Bolt 3/8-24 x 1" Lg.
79	786-0046	1	S	Belt Cover Bracket Code: N Notates a new part (not previously existing)